

更改 REV	出图日期 DATE	设变内容 MODIFICATION	修改 DRAWN
A	2017/08/21		

A

B

C

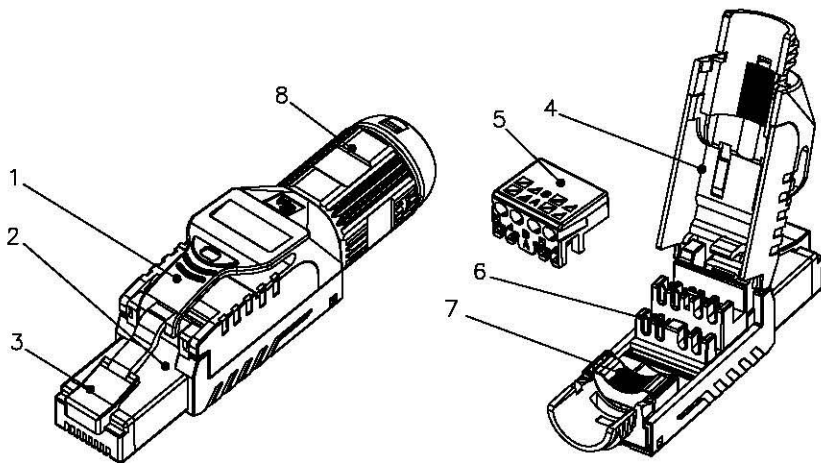
D

A

B

C

D

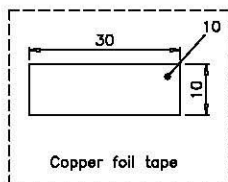


SCALE 1/1

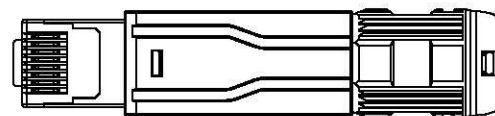
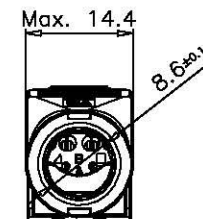
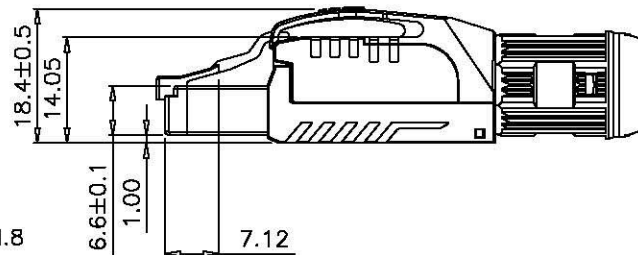
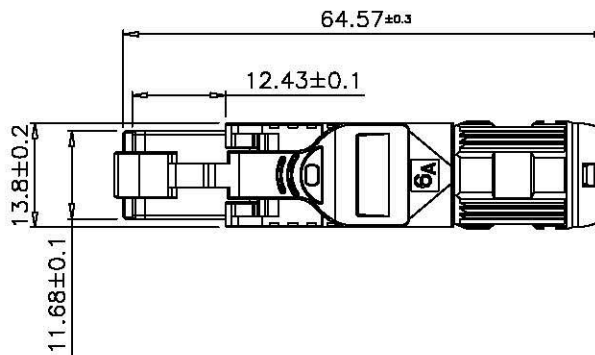
Specification :

Material :

1. Extractor : PC, UL 94V-2, options color.
2. Housing : Zinc die-Casting with nickel plated.
3. RJ45 plug :
 - 3-1. Housing : PC, UL 94V-2, black color.
 - 3-2. Contact material : Phosphor bronze with 100 micro-inch nickel plated.
 - 3-3. Contact finish : Min. 50 micro-inch gold plated on surface contact area.
4. Cover : Zinc die-casting with nickel plated.
5. Wire management bar : PC, white color, UL 94-V2.
6. IDC :
 - 6-1. Housing : PC, white color, UL 94-V2.
 - 6-2. Terminal : Titanium copper with tin plated.
7. Grounding contact : Zinc die-casting with nickel plated.
8. Boot :
 - 8-1. Housing : Zinc die-casting with nickel plated.
 - 8-2. SR : PC, UL 94V-2, black color.
 - 8-3. CAP : PC, UL 94V-2, black color.
9. PCB, UL 94-V0.
10. Copper foil tape.



PIN.1 PIN.8



客户用产品图



www.allconnectors.de Tel: 0049 711 7009503 70736 Heilbronn Germany		info@allconnectors.de Fax: 0049 711 7009504 Kellerstr. 22	
DIMENSION IN mm (Inch) TOLERANCE UNLESS OTHERWISE SPECIFIED		材 质 MATERIAL	图 号 DWG NO.
.X±0.1 .X°±5°		PC	EXW-FPS-C6A-FS(S03)
.XX±0.05 .XX°±2°		名 称 TITLE	3J01-K01-00001
审 核 APPROVAL	核 对 CHECKED	制 图 DRAWN	比 例 SCALE
沈红波	钟均江	CathyLi	2/1
			张 数 SHEET
			1/1
			角 注 PROG
			更 改 REV
			A

6 ST-DR-009A

7